

AK-D

The **AK** series of pour-over equipment is designed to offer years of trouble free operation while delivering a consistently great cup of fresh hot coffee with every brew. This flexible brewer family accomodates all of today's brewing vessels from traditional glass decanters to the latest in thermal dispensers, airpots and servers.

The **AK** models incorporate features such as: a traditional displacement hot water tank system, ready light incorporated for optimum brewing temperature, master on/off power switch, and durable stainless steel construction.



Dispenser Options



Newco Enterprises, Inc.

3650 NewTown Boulevard • St. Charles, MO 63301

Toll Free 800.325.7867 • Local 636.925.1202 • Fax 636.925.0029 • Technical Service 800.556.3926

www.newcocoffee.com

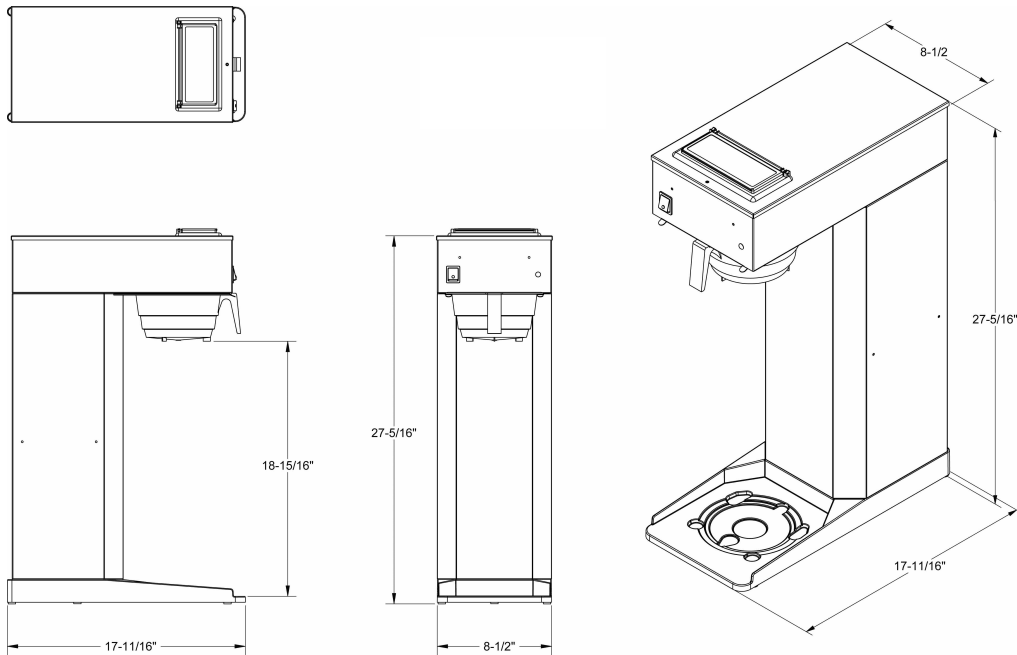
AK-D

Pour Over Brewer

Ready light incorporated for optimum brewing temperatures.

Durable stainless steel construction.

Master power switch.



MODEL	WIDTH	DEPTH	HEIGHT	(USA)	CANADA	WEIGHT	CU.FT.
AK-D	8 1/2"	17 11/16"	27 5/16"	14.6A	11.7A	28LB.	7.81